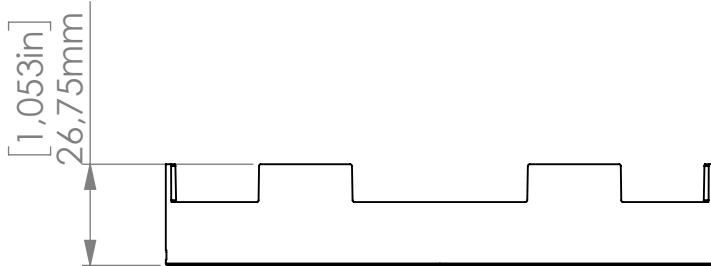
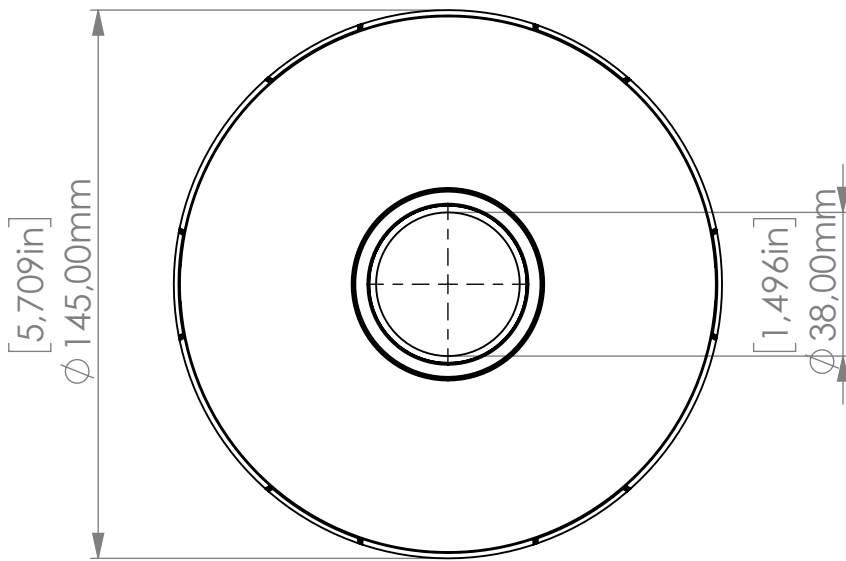
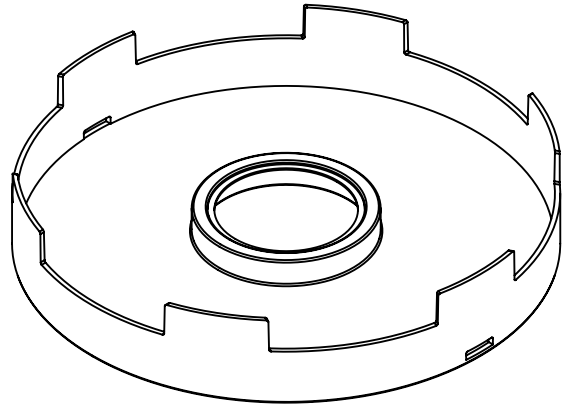


# Valve Protection



Product Code	<b>VAP</b>	-	<b>PA</b>	-	<b>VV</b>	-	<b>5</b>
	Valve Protection		Material polyamide 6 black		Suitable for Adsorber series VV		Suitable for Adsorber size 5

Total weight (kg/lb): 0.06 / 0.13

NAME:

**Valve Protection**  
VAP\_PA\_VV-5

Article no.:  
**08.0020.03**

Status approved

Format A4

Ratio 1:2

Sheet / of 1 / 1

	Date	Name
rev.	20.11.2025	Daniel Zinic
<b>GIEBEL</b> www.giebel-adsorber.com info@gf-dry.com		

